

- Particularly quiet operation
- Unique controls
- Compact and manoeuvrable
- Robust and reliable
- Optional fast lift



AM 22

Hand pallet truck (2,200 kg)

The AM 22 hand pallet truck is the ideal "warehouse assistant" for all manual transporting over short distances. This is where its advantages come into play:

- Easy to operate controls – equally comfortable for left and right-handed operators. Manoeuvring with one hand on the tiller is both comfortable and safe.

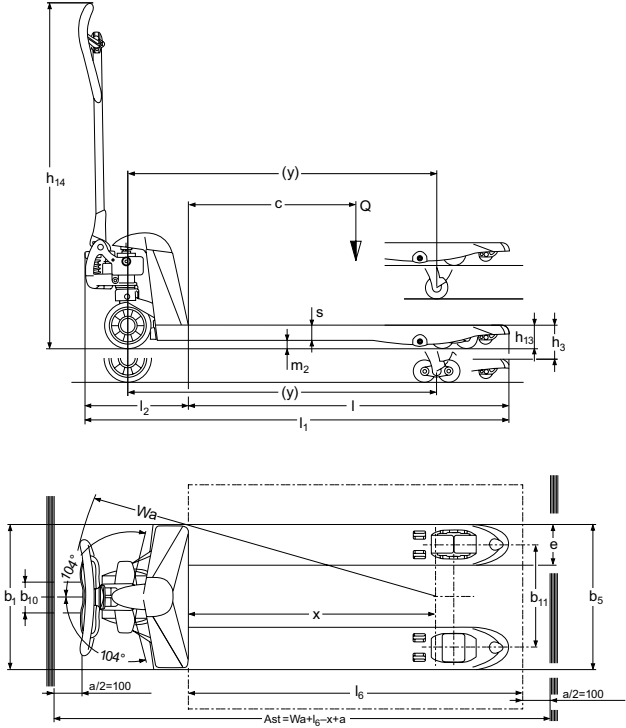
- Optional fast lift (up to 120 kg) for lifting pallets clear of the floor with only three pump strokes.
- Short chassis length offers maximum manoeuvrability in restricted conditions.

The chromed wheel and joint bushings allow for easy pulling or pushing. They are remarkably quiet running and main-

tenance-free.

A choice of different roller coatings ensures optimum use on a wide variety of different floors.

AM 22



Technical data in line with VDI 2198

Identification	1.1	Manufacturer (short form)		Jungheinrich				
	1.2	Model		AM 22				
	1.3	Drive		manual				
	1.4	Manual, pedestrian, stand-on, seated, order picker operation		hand				
	1.5	Load capacity/rated load	Q t	2.2				
	1.6	Load centre distance	c mm	400	500	534	600	610
	1.8	Load distance	x mm	535	690	794	890	947
	1.9	Wheelbase	y mm	755	910	1014	1110	1167
	Weights	2.1	Service weight	kg	51 ¹⁾	54 ¹⁾	56 ¹⁾	58 ¹⁾
2.3		Axle load, w.o. load, front / rear	kg				38 / 20 ⁴⁾	
Wheels / chassis	3.1	Tyres		C;V;N	C;V;N;	C;V;N	C;V;N	C;V;N
	3.2	Tyre size, at front	mm	Ø 170x50				
	3.3	Tyre size, at rear	mm	Ø 82x96 ⁵⁾				
	3.5	Wheels, number front/rear (x = driven wheels)		2/2 or 2/4				
	3.6	Track width, front	b ₁₀ mm	109				
	3.7	Track width, rear	b ₁₁ mm	370				
	Basic dimensions	4.4	Lift	h ₃ mm	122			
4.9		Height of tiller in drive position min. / max.	h ₁₄ mm	1234				
4.14		Standing height raised	h ₁₂ mm	205				
4.15		Lowered height	h ₁₃ mm	83				
4.19		Overall length	l ₁ mm	1165	1320	1424	1520	1577
4.20		Length incl. back of forks	l ₂ mm	373				
4.21		Total width	b ₁ /b ₂ mm	520 ²⁾				
4.22		Fork dimensions	s/e/l mm	53 / 150 / 795 ³⁾	53 / 150 / 950 ³⁾	53 / 150 / 1054 ³⁾	53 / 150 / 1150 ³⁾	53 / 150 / 1207 ³⁾
4.25		Width over forks	b ₅ mm	520 ²⁾				
4.32		Floor clearance centre wheelbase	m ₂ mm	30				
4.33		Aisle width for pallets 1000 × 1200 sideways	Ast mm	1584	1584	1638	1734	1791
4.34	Aisle width for pallets 800 × 1200 lengthways	Ast mm	1784	1784	1784	1784	1791	
4.35	Turning radius	W _a mm	919	1074	1178	1274	1331	
Performance data	5.3	Lower speed, w. / w.o. load	m/s	0.09 / 0.02				

¹⁾ +5 kg at 680 mm width across forks

²⁾ 680 mm also possible

³⁾ Other fork lengths available

⁴⁾ Width 520 mm

⁵⁾ Ø 82x62 mm tandem tyres

Benefit from the advantages



Ergonomic operating handle



Maintenance-free hydraulics



Permanently lubricated joints for maintenance-free operation



Contoured fork tips for easy pallet entry

Easy to handle

The easy-to-use controls are equally suitable for both left and right-handed operators. The special lowering valve enables loads to be lowered precisely or in small increments. The optional fast lift (up to 120 kg) ensures that pallets can be lifted clear of the floor with only 3 pump strokes. Maximum lift height is achieved with only 5 pump strokes.

Shorter and more manoeuvrable

The chassis length of just 373 mm allows for reliable and easy operation even in very confined spaces.

Effortless and simple

The further improved hydraulic system reduces the pumping force required. The bushes on the wheels reduce the required drawbar pull.

Quiet and robust

The chromed bushes on the wheels and joints ensure quiet running and an exceptional long service life. It is no longer necessary to lubricate connections; the AM 22 continues to run as smoothly as ever.

Clear and safe

Embossed markings on the truck show the exact, secure pallet position required for crossways lifting.

Durable

More stable forks. Rounded forms. Welded tiller mounting. Protected entry rollers. High Quality Hardened steel. The best guarantees for maximum stability and durability. 2200 kg capacity with the basic version.

Additional / special equipment

Extensive additional equipment means the AM 22 is optimally equipped for any application. This includes, for example, numerous fork lengths, wide range of width over forks, different braking systems or special paint. Also available is special equipment such as stainless steel or galvanised truck models.

Jungheinrich UK Ltd.

Head Office:
Sherbourne House
Sherbourne Drive
Tilbrook
Milton Keynes MK7 8HX
Telephone 01908 363100
Fax 01908 363180

info@jungheinrich.co.uk
www.jungheinrich.co.uk

The German production facilities in Norderstedt and Moosburg are certified. **ISO 9001**
ISO 14001

Jungheinrich fork lift trucks meet European safety requirements.



JUNGHEINRICH
Machines. Ideas. Solutions.